

Keor HPE

THREE-PHASE UPS

From 60 to 600 kW



**NEW ENERGY
TO POWER**



Keor HPE

THREE-PHASE UPS

Keor HPE UPS is a high efficiency Online Double Conversion UPS with latest generation 3-level IGBT technology. It supplies a rated power of 60-80-100-125-160-200-250-300-400-500-600 kW and can be connected in parallel and have N + X redundancy up to a maximum of 6 units.

Keor HPE is the ideal solution for medium and large power critical applications (tertiary, hospital, industry, transport) where continuity of service, high quality power supply and reduced consumption are required.



New aesthetics

The refinement of the design and the careful choice of materials reflect the performance and reliability characteristics of the **Keor HPE** family. The new door with white panel, the new touch screen displays and the hexagonal motif, also reflected in the ventilation grids enrich the product, combining technology and design.



Smart Display

The new **Keor HPE** is equipped with smart, interactive, simple and intuitive displays, thanks to which it is possible to view the operating parameters of the UPS, selecting the preferred language. The displays are supplied in 2 different versions: 7 inch LCD for 60 – 160 kW models
10 inch LED for 200 - 600 kW models.

Keor HPE



High efficiency and low TCO

Keor HPE is designed to reduce losses and lower management costs. The high yields (certified by external laboratories) guarantee low operating costs. Transformer-free technology and configurations with internal batteries facilitate installation and optimise space in technical rooms.

Greater power density

The 60 and 80 kW models have optimised dimensions in a volume of 0.78 m³.

Power factor

The modern power circuit architecture allows for load supply with maximum active power.

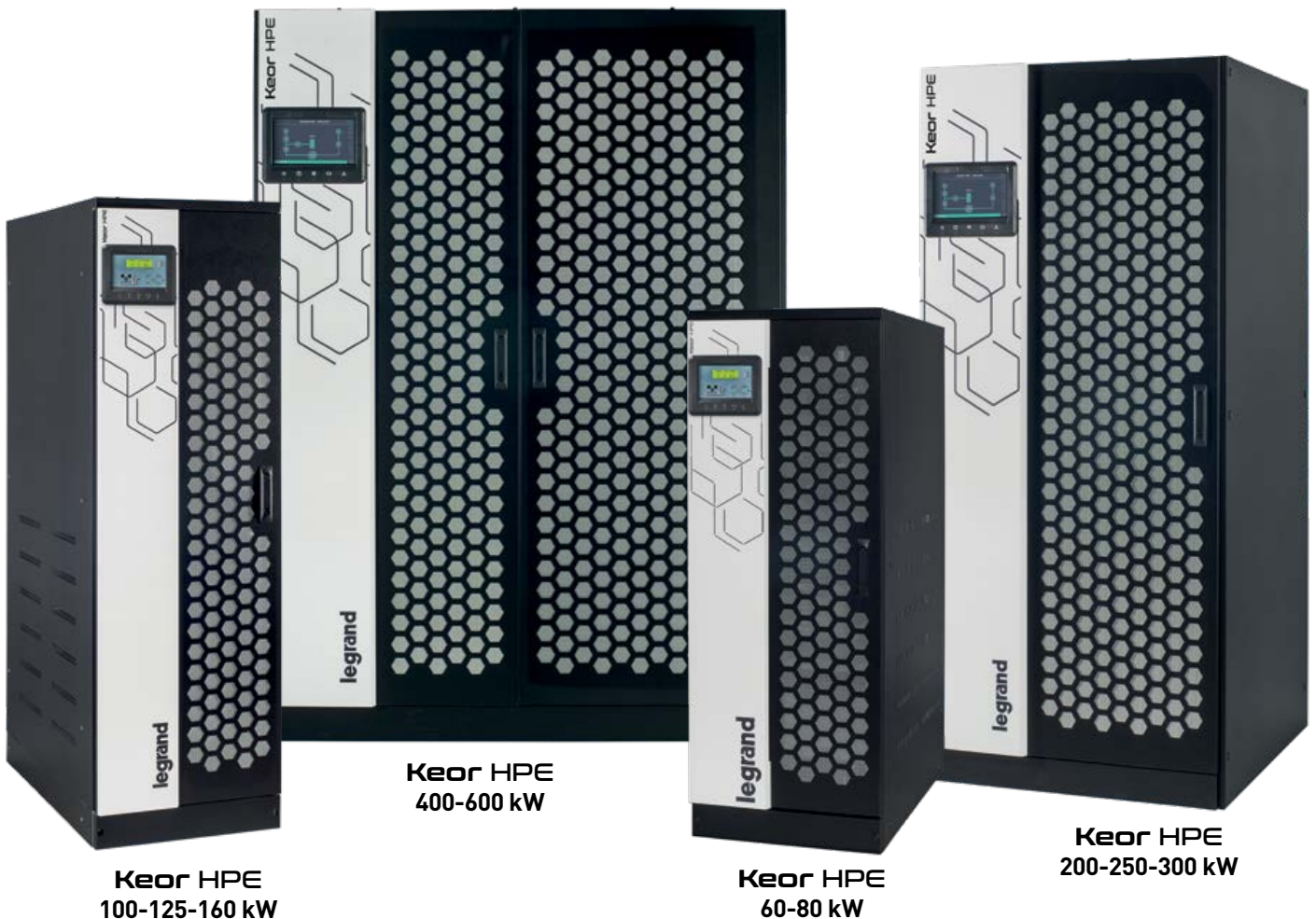
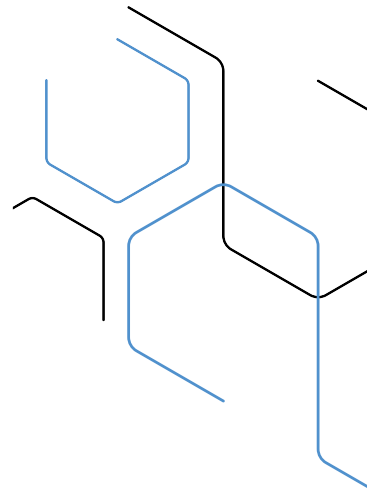


Front internal access

The **Keor HPE** UPS is designed to be installed and maintained from the front. All the protection switches and communication ports are located on the front of the UPS. A practical internal door also allows you to reach the parts installed on the bottom of the UPS, in order to have maximum access to all the components. The simplicity of access to all parts subject to maintenance, significantly reduces **MTTR**, that is the **average machine repair time**.

Internal batteries

The 60 and 80 kW versions can contain up to 180 batteries, allowing standard levels of autonomy without relying on external batteries.



Keor HPE
100-125-160 kW

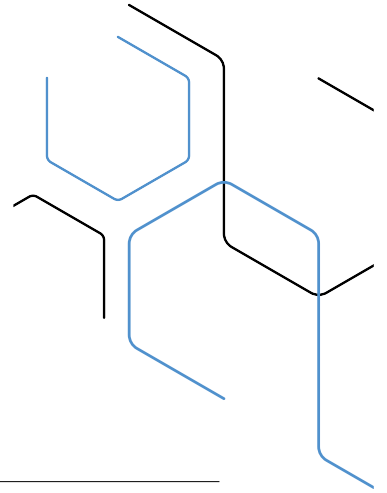
Keor HPE
400-600 kW

Keor HPE
60-80 kW

Keor HPE
200-250-300 kW

NOTE: front internal access is not possible in the 2 60 and 80 kW compact models.

Keor HPE



Parallel capacity

Up to 6 units can be connected in parallel, achieving maximum 3 MW power.

Stable and reliable parallel even at high power with many units (more than 3) thanks to dedicated power line balancing systems*

Redundancy

The possibility of connecting up to 6 UPSs in parallel allows for maximum service continuity and system safety.

* For parallel configurations involving 4 or more units, please contact your Service representative for configuration guidance.



Back feed detection

All units have contacts to activate (optional) voltage back feed protection.

Insulation transformers

Available for the entire **Keor HPE** family, as optional external accessories.

OPTIMAL BATTERY MANAGEMENT

Keor HPE includes advanced battery charging and management functions, which guarantee the best performance and maximum operating life.

Intermittent charging

with adjustable cycle (27-3 standard), to extend the effective life and obtain maximum energy savings.

Automatic current charging

regulation with load power priority, to quickly charge batteries for long autonomies.

Voltage charge

compensation according to temperature, to avoid excessive charges and overheating. Temperature probe included in all units.



Keor HPE 60-80-100-125-160-200-250-300-400-500-600

Online UPS - Online three-phase double conversion VFI



9 605 69

9 535 01

9 535 03

Characteristics

- Power from 60 to 600 kW
- Three-phase UPS
- IGBT rectifier
- High efficiency
- Digital signal processor (DSP)
- High input power factor (PFC) value
- Output power factor 1
- Low input and output harmonic distortion values (THD)
- Compatibility with gensets
- Parallel capacity up to 6 units
- Communication ports
- Optimised cooling system
- Battery charging, dynamic, intermittent, with temperature compensation

Model	UPS		Autonomy (min.)	Dimensions H x W x D (mm)	Net weight (kg)
	Apparent power (kVA)	Active power (kW)			
3 110 87	60	60	0	1500 x 560 x 940	225
3 110 88	60	60	5	1500 x 560 x 940	525
3 110 89	60	60	10	1500 x 560 x 940	675
3 110 90	80	80	0	1500 x 560 x 940	250
3 110 91	80	80	5	1500 x 560 x 940	700
9 605 69	100	100	-	1800 x 560 x 940	320
9 605 70	125	125	-	1800 x 560 x 940	360
9 605 71	160	160	-	1800 x 560 x 940	380
9 605 72	200	200	-	1975 x 850 x 966	720
9 535 00	250	250	-	1975 x 850 x 966	850
9 535 01	300	300	-	1975 x 850 x 966	900
9 535 02	400	400	-	1978 x 1430 x 970	1080
9 535 03	500	500	-	1978 x 1430 x 970	1250
3 111 30	600	600	-	1978 x 1630 x 970	1400

Accessories

	Description
9 535 16	HPE PARALLEL CARD*
9 535 17	HPE MODBUS RS485 CARD
-	Battery Cabinets **

On Demand

- Synchronisation kit on two UPS ***
- Synchronisation kit on two UPS units in parallel***
- Insulation transformer
- 7" touch screen display (for Keor HPE 60-160)
- IP 21 Kit
- Common Battery Kit

* For parallel configurations involving 4 or more units, please contact your Service representative for configuration guidance.

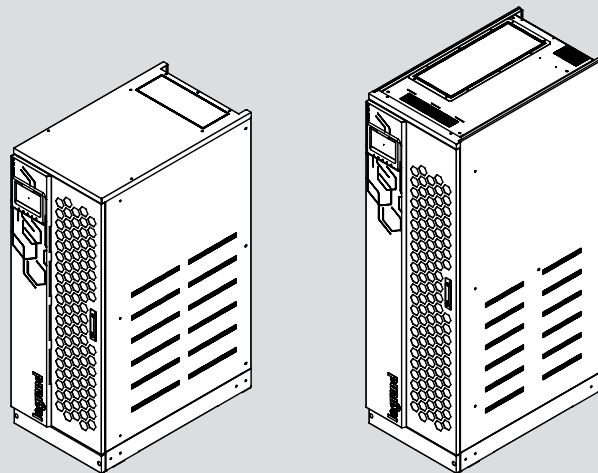
** For battery cabinet solutions, please refer to the dedicated catalogue

*** to create two synchronous but independent power lines (typical in Tier III, IV systems)

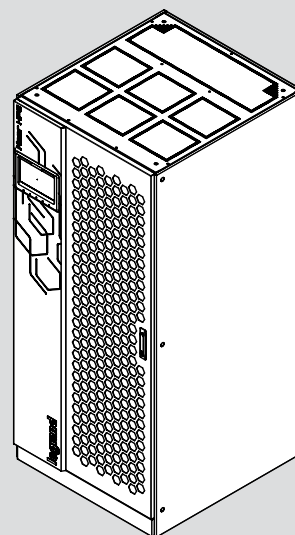
NOTE: the stated back-up times in minutes are estimated and may vary according to the load characteristics, operating conditions and environment.

Keor HPE 60-80 kW

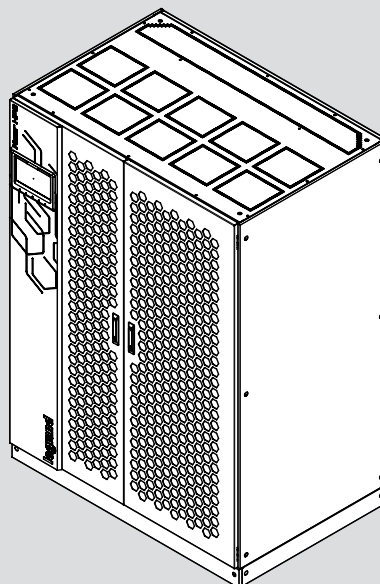
Keor HPE 100-125-160 kW



Keor HPE 200-250-300 kW



Keor HPE 400-500-600 kW



Keor HPE 60-80-100-125-160-200-250-300-400-500-600

Online UPS - Online three-phase double conversion VFI

Characteristics

General specifications	60	80	100	125	160	200	250	300	400	500	600
Apparent power (kVA)	60	80	100	125	160	200	250	300	400	500	600
Active power (kW)	60	80	100	125	160	200	250	300	400	500	600
Technology	On-Line Double Conversion VFI-SS-111										
Waveform	Sinusoidal										
UPS architecture	Online UPS with parallel capacity up to 6 units										
Input											
Input voltage	380-400-415 V 3Ph+N										
Input frequency	50-60 Hz (45-65Hz)										
Input voltage range	400 V -20% / + 15%										
THD Input Current	< 3%										
Compatibility with power supply units	Configurable to achieve synchronism between the input and output frequencies also for larger frequency ranges										
Input power factor	> 0.99										
Output											
Output voltage	380, 400, 415 V 3Ph+N										
Efficiency	Up to 95%	Up to 96%					Up to 96.4%				
Output frequency (apparent)	50 /60 Hz										
Crest factor	3:1										
THD Output Voltage	<1% (with linear load), <5% (with non-linear load)										
Output voltage tolerance	± 1% (with balanced load)										
Overload capacity	10 minutes at 125%, 30 seconds at 150% 0.1 seconds >150%					10 minutes at 110%, 5 minutes at 125%, 30 seconds at 150%, 0.1seconds >150%					
Efficiency in Eco Mode	> 98%										
Bypass	Automatic and maintenance bypass										
Batteries											
Internal battery	Yes	Yes	-	-	-	-	-	-	-	-	-
Autonomy expansion	Yes with additional battery cabinets										
Battery series type/voltage	VRLA - AGM Lead-acid, sealed, maintenance-free										
Battery test	Automatic or manual										
Battery charger	IU (DIN41773)										
Communication and management											
LCD display	LCD and LED display for real-time monitoring of the UPS status 4 buttons for menu navigation (7" touch display optional)					10" touch-screen display to monitor UPS status in real-time					
Communication ports	Relay contact board, RS232, USB, Net Interface Slot (Optional: Mod-Bus RS485, SNMP-Ethernet)										
Alarms and signals	Configurable acoustic alarms and signals										
Emergency Power Off (EPO)	Yes										
Remote management	Available										
Battery temperature probe	Yes										
Mechanical features											
Dimensions (H x L x D) (mm)	1500 x 560 x 940		1800 x 560 x 940			1978 x 880 x 970			1978 x 1430 x 970		1978 x 1630 x 970
Net weight (kg)	225	250	320	360	380	530	745	675	1080	1250	1400
Ambient Conditions											
Operating temperature (°C)	0 - 40										
Relative humidity (%)	< 95% non condensing										
Protection rating	IP20										
Noise at 1 mt from the unit (dBA)	< 60					< 65			< 72		< 80
Estimated content of circular economy derived materials(%)	33%										
Recyclability rate calculated using the method described in technical report IEC/TR 62635 (%)*	90.1%										
Conformity											
Certifications	EN 62040-1, EN 62040-2, EN 62040-3, EN 62040-4										

* This value is based on data collected from a technological channel operating on an industrial basis. It does not pre-validate the effective use of this channel for end-of-life of this product.



Customer services

Reliable

Directly present in 250+ locations across India to ensure quick support, a team of 900 factory qualified engineers are available 24/7/365 to support your UPS system to ensure availability to the most critical loads.

Excellent

Numeric competitive edge lies in its ability to provide high value-added UPS systems and service for customers. For Numeric, creating value means providing solutions with low energy consumption. The Legrand Group also provides all products required for electrical and digital building installations, particularly as an integrated system, with solution to fit customer needs.

Tailor-made

We offer a complete range of specific solutions and services to meet customer requirements:

- Technical pre-sales support
- UPS sizing and solution
- Supervision of installation, testing and commissioning.
- Operator training
- Site audits
- Warranty extension offers
- Annual maintenance contract

SERVICES

Today a business is in always ON mode with zero-tolerance for downtime. Numeric offers a wide range of products that promise seamless quality power solutions for all kinds of consumers – industrial, commercial and residential. The range of power solutions covers 3P, 2P and LI across power needs.

Support

SITE INSPECTION, INSTALLATION SUPERVISION.

Numeric UPS' safe and fault-free operations start at the time of installation. A team of technical experts from Numeric visit the UPS site to perform a comprehensive check of the environment. The site engineer or electrical contractor is informed of their recommendations. The installation is supervised by the Numeric technical team.



SITE TEST, COMMISSIONING.

After the installations, the UPS is subjected to rigorous site tests. The UPS is configured according to user's requirements and completely set-up before going live. After successful testing, the UPS is handed over with the installation report.

Training

TRAINING

On-site training is made available to ensure the safe and efficient operation of the equipment. Hands-on training for the client's engineers and technical team can be arranged at Numeric's plants



Maintenance

PREVENTIVE MAINTENANCE

Optimal performance of the UPS require regular preventive maintenance operations, with parts replaced when needed. Numeric offers Service Contracts with Preventive Maintenance that include cleaning, UPS measurements, functional tests, technical reports (optional), battery health check up and software upgrades.



CORRECTIVE MAINTENANCE, EMERGENCY CALL

Engineers and spare parts stocks have been strategically located to handle emergencies. A powerful diagnostic software helps engineers identify the fault quickly and ensure short MTTR (Mean Time To Repair). The diagnosis further helps corrective actions such as part replacement, adjustments to be performed and return the UPS system back to normal.

Head Office

10th Floor, Prestige Center Court,
Office Block, Vijaya Forum Mall, 183,
N.S.K Salai, Vadapalani,
Chennai - 600 026.
Phone: +91 44 4656 5555

Regional Offices

New Delhi

B-225, Okhla Industrial Area,
4th Floor, Phase-1,
New Delhi - 110 020.
Phone: +91 11 2699 0028

Kolkata

Bhakta Tower, Plot No. KB22,
2nd & 3rd Floor, Salt Lake City,
Sector - III, Kolkata - 700 098.
Phone : +91 33 4021 3535 / 3536

Mumbai

C/203, Corporate Avenue, Atul Projects,
Near Mirador Hotel, Chakala,
Andheri Ghatkopar Link Road,
Andheri (East), Mumbai - 400 099.
Phone : +91 22 3385 6201

Chennai

10th Floor, Prestige Center Court,
Office Block, Vijaya Forum Mall,
183, N.S.K Salai, Vadapalani,
Chennai - 600 026.
Phone : +91 44 3024 7236 / 200

Branch Offices

Chandigarh

SCO 4, First Floor, Sector 16,
Panchkula, Chandigarh - 134 109.
Phone : +91 93160 06215

Dehradun

Unit-1 and 2, Chakrata Road,
Vijay Park Dehradun - 248001.
Uttarakhand
Phone : +91 135 661 6111

Jaipur

Plot No. J-6, Scheme-12B,
Sharma Colony, Bais Godown,
Jaipur - 302 019.
Phone : +91 141 221 9082

Lucknow

209/B, 2nd Floor, Cyber Heights,
Vibhuti Khand, Gomti Nagar,
Lucknow - 226 018.
Phone : +91 93352 01364

Bhubaneswar

N-2/72 Ground Floor, IRC Village,
Nayapally, Bhubaneswar - 751 015.
Phone: +91 674 255 0760

Guwahati

House No 02,
Rajgarh Girls High School Road
(Behind Rajgarh Girls High School),
Guwahati - 781 007.
Phone : +91 96000 87171

Patna

405, Fraser Road, Hemplaza,
4th Floor, Patna - 800 001.
Phone : +91 612 220 0657

Ranchi

202 & 203, 2nd Floor, Sunrise Forum,
Bardwan Compound, Lalpur, 2nd Floor,
Ranchi - 834 001.
Phone : + 91 98300 62078

Ahmedabad

A-101/102, Mondeal Heights,
Beside Hotel Novotel, Near Iscon Circle,
S G Highway, Ahmedabad - 380 015.
Phone : +91 79 6134 0555

Bhopal

Plot No. 2, 221, 2nd Floor, Akansha Complex,
Zone-1, M.P.Nagar, Bhopal- 462 011.
Phone : +91 755 276 4202

Nagpur

Plot.No.174, H.No.4181/C/174, 1st Floor,
Loksewa Housing Society, Near Dr. Umathe
& Mokhare College, Bhamti Road,
Loksewa Nagar, Nagpur - 440 022.
Phone : +91 712 228 6991 / 228 9668

Pune

Pinacle 664 park avenue, 8th floor,
Plot no 102+103, CTS No. 66/4,
Final, 4, Law College Rd, Erandwane,
Pune, Maharashtra - 411 004.
Phone : +91 +20 6729 5624

Bengaluru

No-58, First Floor, Firoze White Manor,
Bowring Hospital Road,
Shivajinagar, Bangalore -560 001.
Phone : +91 80 6822 0000

Coimbatore

No. B-15, Thirumalai Towers, No. 723,
1st Floor, Avinashi Road, Coimbatore - 641 018.
Phone : +91 422 420 4018

Hyderabad

Prestige Phoenix Building,
1st Floor, Survey no. 199,
No. 6-3-1219/J/101 & 102, Uma Nagar,
Opposite to Begumpet Metro Station
Begumpet 500016
Phone: +91 40 4567 1717/2341 4398/2341 4367

Kochi

Door No. 50/1107A9, JB Manjooran Estate,
3rd Floor, Bypass Junction,
Edappally, Kochi - 682 024.
Phone : +91 484 6604 710

Madurai

12/2, DSP Nagar,
Dinamalar Avenue,
Madurai - 625 016.
Phone : +91 452 260 4555

NUMERIC®

A Group brand |  **legrand®**

Contact us.:

Email : customer.care@numericups.com

Phone : 0484-3103266 / 4723266

www.numericups.com